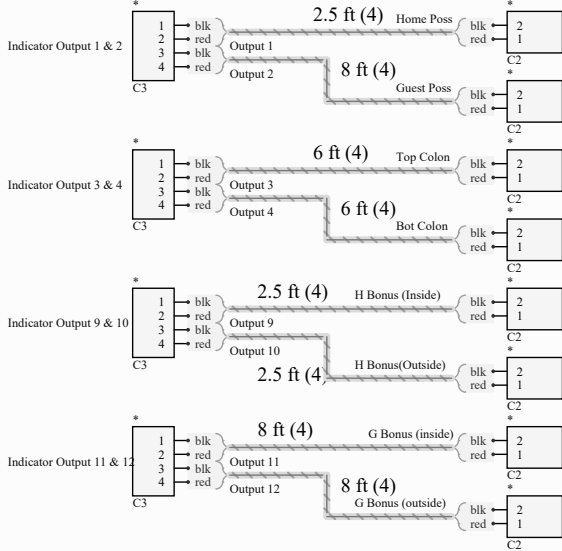


QTY	Ref	Item Number	Description
10'	1	025-00046	WIRE,PVC 18AWG 300V TWSTD,O/P
10'	2	025-00099	WIRE,PVC 18AWG 300V TWSTD,
18'	3	025-00057	WIRE,TWSTD,18AWG,O/V BLK/JACKET
64.5'	4	W100134P	CABLE,18/2 R/B GR/Y JKT 105C
11	C1	030-00109	Plug, 8PIN, 5.08mm,BLK/ORG
14	C2	030-00104	Plug, 2PIN, 2.08mm,BLK/ORG
4	C3	030-00107	Plug, 4PIN, 5.08mm, BLK/ORG
1	P1	062-00189	PWR/SPLY,24V,36W
1'	5	800118	WIRE,PVC 18AWG 300VSTR VIOLET
122	-	030-00112	BULK,FERRULE,.75/14MM WHT
2	-	030-00113	TWIN,FERRULE,.75/14MM WHT

Cable specification [length (cable reference)]



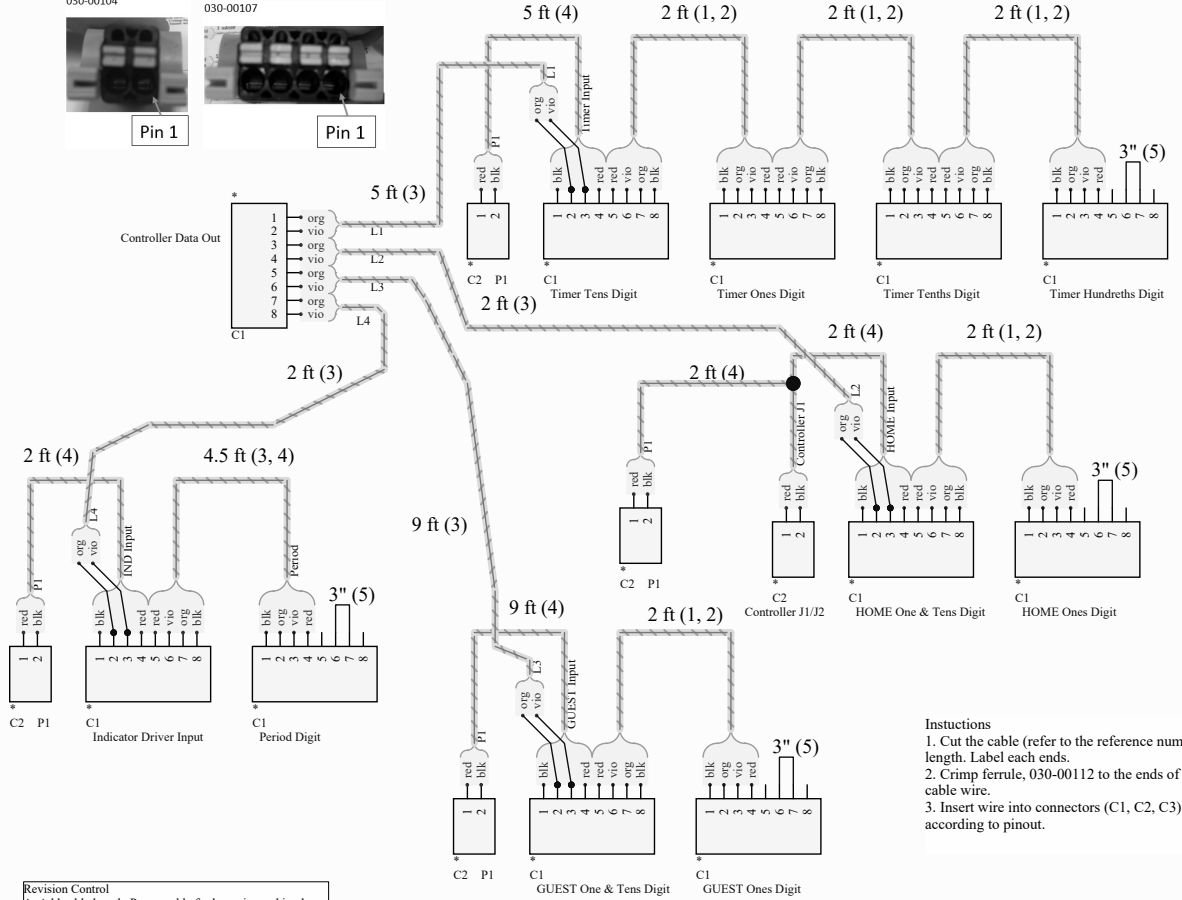
030-00109



030-00104



030-00107



- Instructions**
1. Cut the cable (refer to the reference number) to length. Label each end.
 2. Crimp ferrule, 030-00112 to the ends of each cable wire.
 3. Insert wire into connectors (C1, C2, C3) according to pinout.

Revision Control
 A. Add cable length. Power cable for home is combined with controller using twin ferrules.
 B. Update length and cable types. Add Horn Cable

Title BK9081 Harnesses

ALL AMERICAN
 SCOREBOARDS®